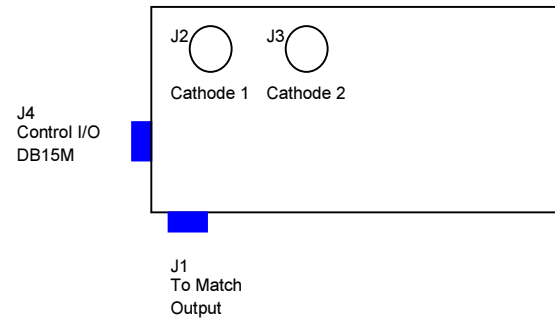
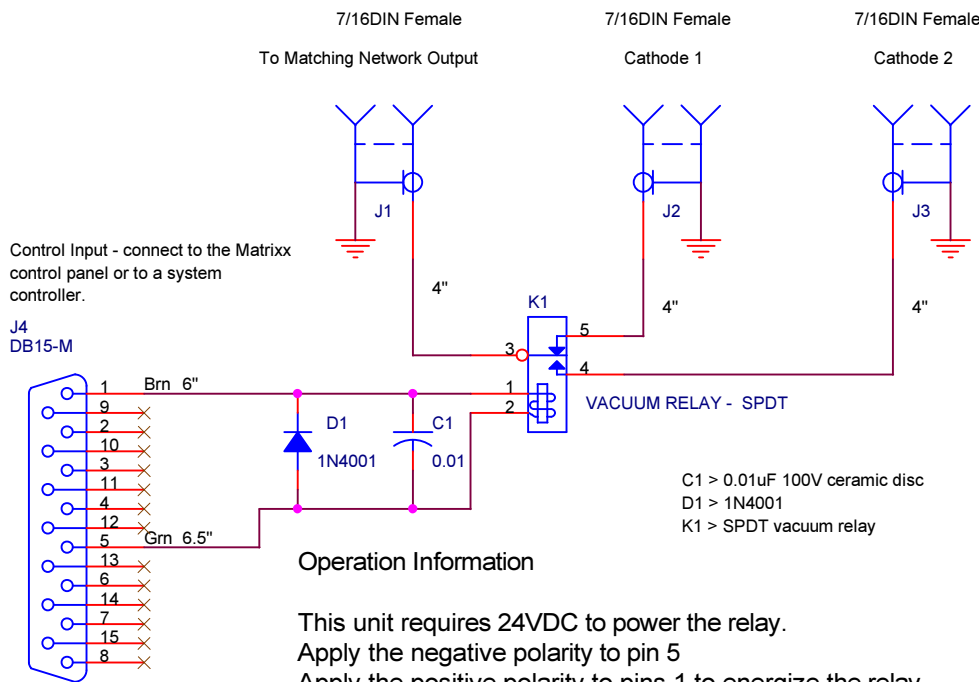


Rev	Description	Date
0	Original release	06/18/14



C1 > 0.01uF 100V ceramic disc
D1 > 1N4001
K1 > SPDT vacuum relay

Operation Information

This unit requires 24VDC to power the relay.
Apply the negative polarity to pin 5
Apply the positive polarity to pins 1 to energize the relay.

To operate Cathode 1 apply NO voltage
To operate Cathode 2 apply voltage at pin 1

Specifications:
RF power capacity = 15A @ 13MHz
DC power capacity = 30A
DC control current = 400mA maximum @ 24V

Keep all RF coaxial cables as short as possible.

Refer to the Matrixx Switch Module Owner's Manual for additional information.

WARNING
DO NOT HOT SWITCH THIS DEVICE !
(Switching cathode outputs while the process power supply is operating.)

Hot switching will damage the Matrixx switch module relays and void the manufacturer's warranty.



Manitou Systems Inc. www.manitousys.com	
Title RF/DC Power Switch- 2 output. 7/16 DIN-F in to 7/16 DIN-F out	
Size A	Document Number 00010085 r0
Date: Monday, June 27, 2016	Rev 0
Sheet 1	of 1